

BECAUSE
QUALITY
WINS

 LX Hausys

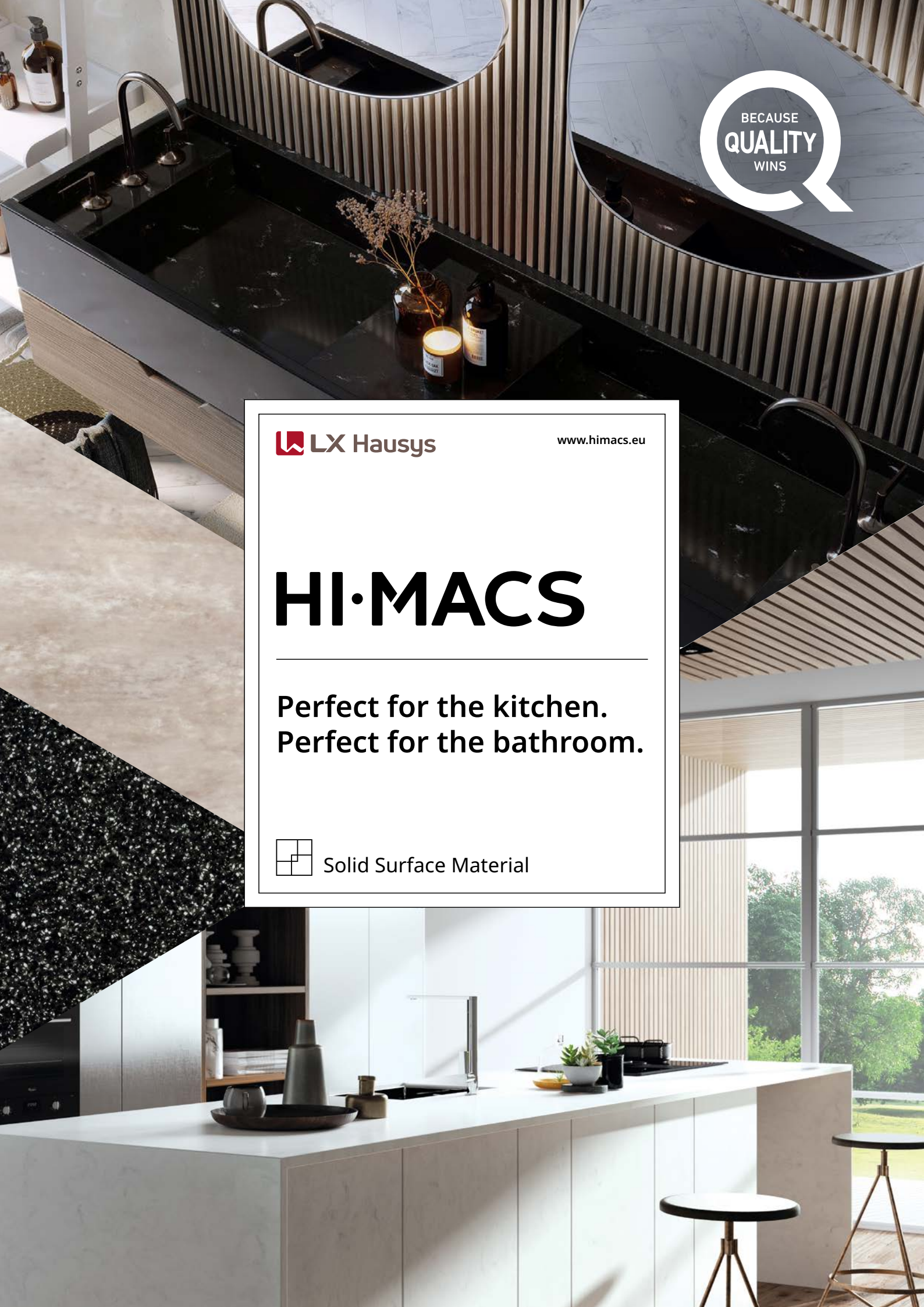
www.himacs.eu

HI·MACS

Perfect for the kitchen.
Perfect for the bathroom.



Solid Surface Material



Nowhere does quality count more than in the kitchen.

Fine culinary artistry is celebrated in the kitchen. The demands are often exacting when it comes to handling high-quality foods and top kitchen equipment. The requirements in terms of functionality, durability, robustness, as well as aesthetics and comfort, simply couldn't be more demanding: right here in the heart of the house.



What's the perfect material for bathrooms?

The bathroom is the one room where a feeling of wellness and tranquility is essential. The ideal material to help achieve this should be pleasant to the touch, extremely hygienic and, naturally, waterproof. But once these practical considerations have been addressed, it also needs to be malleable and flexible so that every design idea is possible: from simple straight lines, to dramatic and opulent visions. HIMACS is the perfect material to meet all these conditions!



HIMACS inspires in the kitchen.

HIMACS is hardwearing and resistant

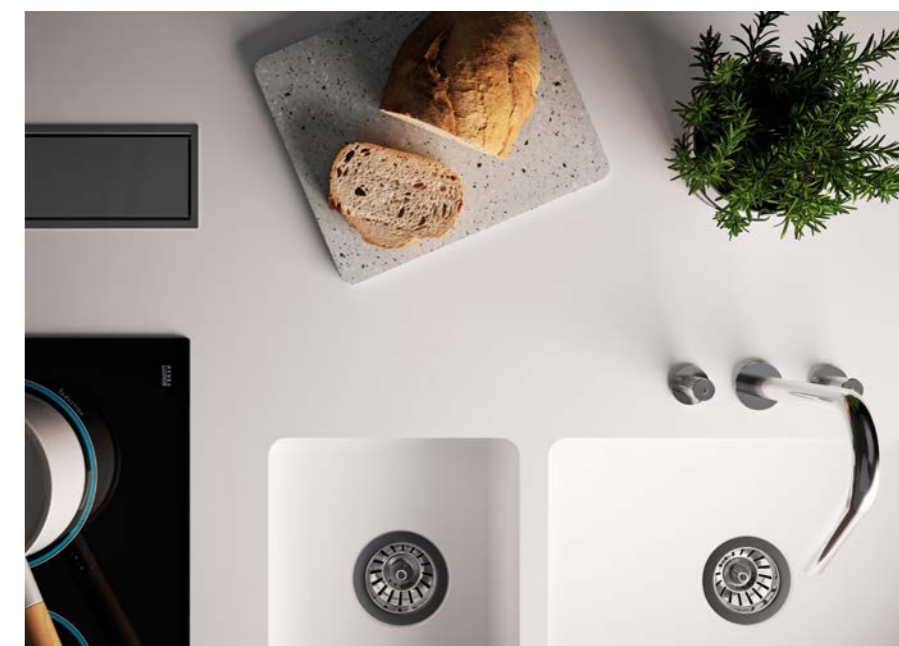
- HIMACS is 100% water-resistant
- HIMACS is resistant to almost all commercial household chemicals, and everyday stains such as fruit acid or red wine
- HIMACS is scratch-resistant and can be repaired in the event of small scratches – without the need to call in a tradesman
- HIMACS is heat-resistant thanks to new Thermalcure-technology

HIMACS is very easy to clean

- HIMACS can be cleaned using a moist cloth and commercial detergent, removing almost all dirt without leaving any residue
- HIMACS is hygienic and can be assembled without the need for visible joints, preventing germs, bacteria and pathogens accumulating in the first place
- HIMACS offers a wide range of sinks and basins, which can also be seamlessly integrated with the worktop

HIMACS looks fantastic

- HIMACS has a natural matt satin finish, which can be given a high-gloss polished finish on request
- HIMACS offers a broad selection of attractive shades – elegant solid colours in classic shades and new trend colours, added every year – as well as many natural stone designs
- HIMACS can be machined just like hardwood or three-dimensionally moulded, and also offers the option of creating spectacular lighting effects using rear-milled cut-outs



Everything leads to the use of HIMACS in the bathroom.

HIMACS is easy to use

- HIMACS is 100% water-resistant
- HIMACS is resistant to almost all commercially available household chemicals
- HIMACS is scratch-resistant and can be repaired in the event of small scratches – without the need to call in a tradesman

HIMACS is very easy to clean

- HIMACS can be cleaned using a moist cloth and commercial detergent, removing almost all dirt without leaving any residue
- HIMACS is hygienic and can be machined without the need for visible joints, preventing the build-up of germs, bacteria and pathogens
- HIMACS offers a wide range of round, angled or oval wash-basins, which can also be ultra-hygienically and seamlessly integrated or installed as fashionable topmounted basins.

HIMACS looks amazing

- HIMACS has a matt satin finish with an extremely pleasant feel: as if designed specifically for bathrooms – which can be given a high-gloss polished finish, on request
- HIMACS offers a generous selection of attractive shades: countless elegant shades of white and more solid colours in classic shades and new trend colours, added every year
- HIMACS can be three-dimensionally moulded, offering the option of creating spectacular lighting effects using rear-milled cut-outs



In the kitchen the words 'quality' and 'detail' define their meaning.



Apart from a number of uni-colours – including several shades of white – the extensive colour range also includes many attractive stone textures, following to the current trend for natural colours and materials in kitchen design.



Extensive surfaces without visible joints make working in the kitchen a veritable pleasure.



Photographed by Atvangarde



Flushmounted sinks and basins, milled draining grooves, three-dimensionally moulded elements: the range of options for creating design features with HIMACS is almost limitless.

HIMACS transforms every bathroom into your very own personal oasis of comfort.



The topmounted basins in the HIMACS collection combine maximum bowl size with elegant, sleek lines.

Design: Roth kreativ GmbH | Photo: Studio Hetzer



All the functional elements in this minimalist elegant bathroom were individually designed with HIMACS: the washstand with its dramatic double sink, furniture fronts with bevelled handles, and the room-partition that supports the washstand whilst at the same time forming the shower cladding.



This comfortable shower is completely manufactured from HIMACS, creating a hygienic, easy-care zone with a maximum "feel-good" factor.



Beautiful to install: three new baths and shower trays made of HIMACS

Good architecture is the result of a harmonious relationship between form, colour and function. Function in particular is determined by the materials used. HIMACS in the bathroom is an unbeatable combination: thanks to the flush-mounted installation, extremely hygienic units are created, looking as if from a single casting and also easy to clean and maintain.

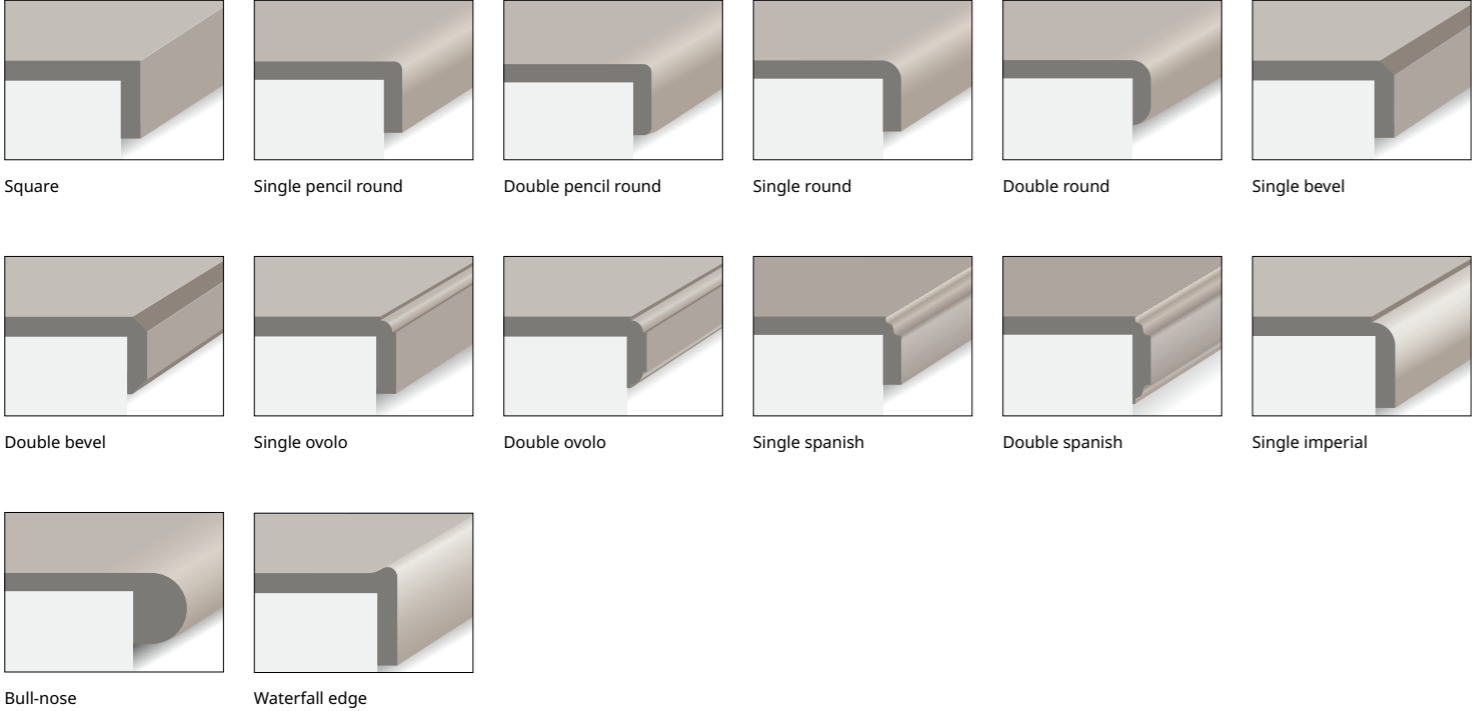
The pleasant, warm feel and silky matt elegance are the best solutions for a bathroom. Now our product range for bathrooms is being expanded: three new shower trays and three new baths round off the range, and ensure that the bathroom is a serene, harmonious place to relax.



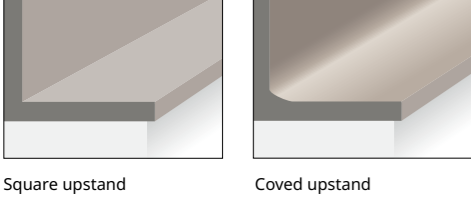
Straight, curved, rectangular, baroque ... any shape you can imagine.

Due to the highly flexible manufacturing options of HIMACS your dealer can offer a wide range of attractive and functional edge-treatments and hygienic splashbacks for your kitchen. Here you can see a small selection of the various possibilities

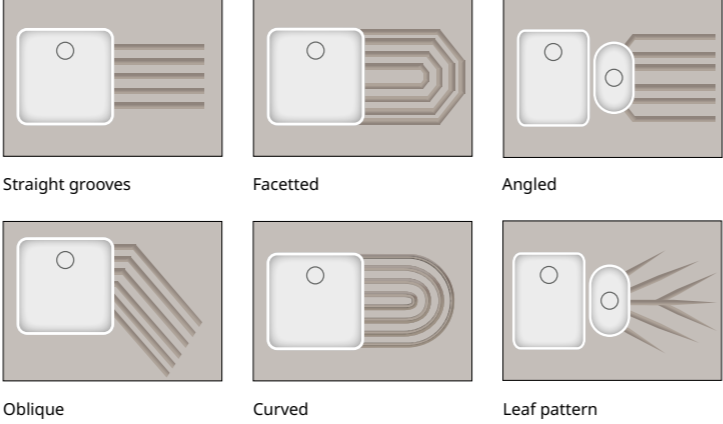
Edge profile examples



Splashbacks



Drainer groove examples



Sinks and Basins

Creative designers have every option at their disposal to create washrooms, kitchens, hospitals and much more with the extensive range of HIMACS basins and sinks.



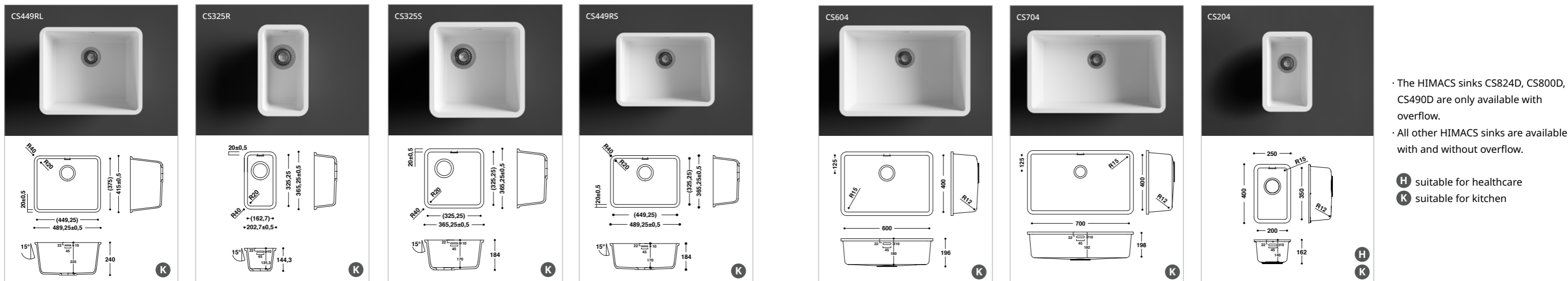
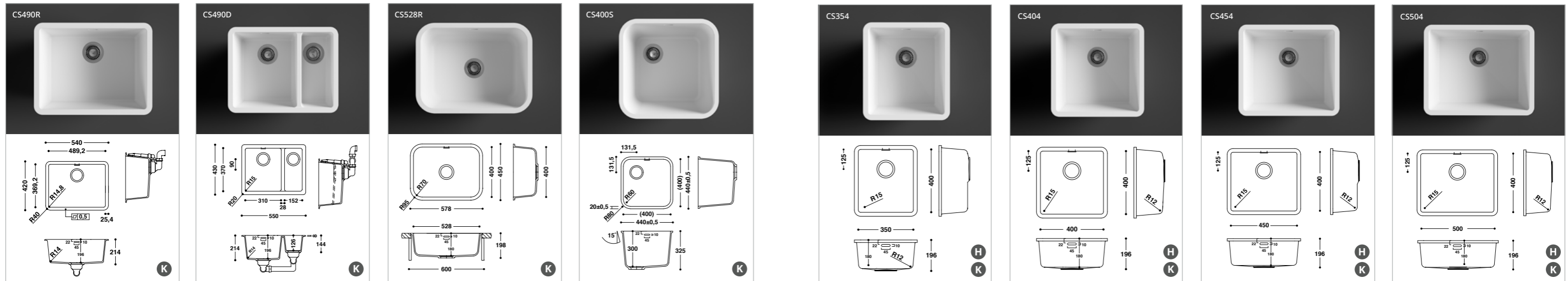
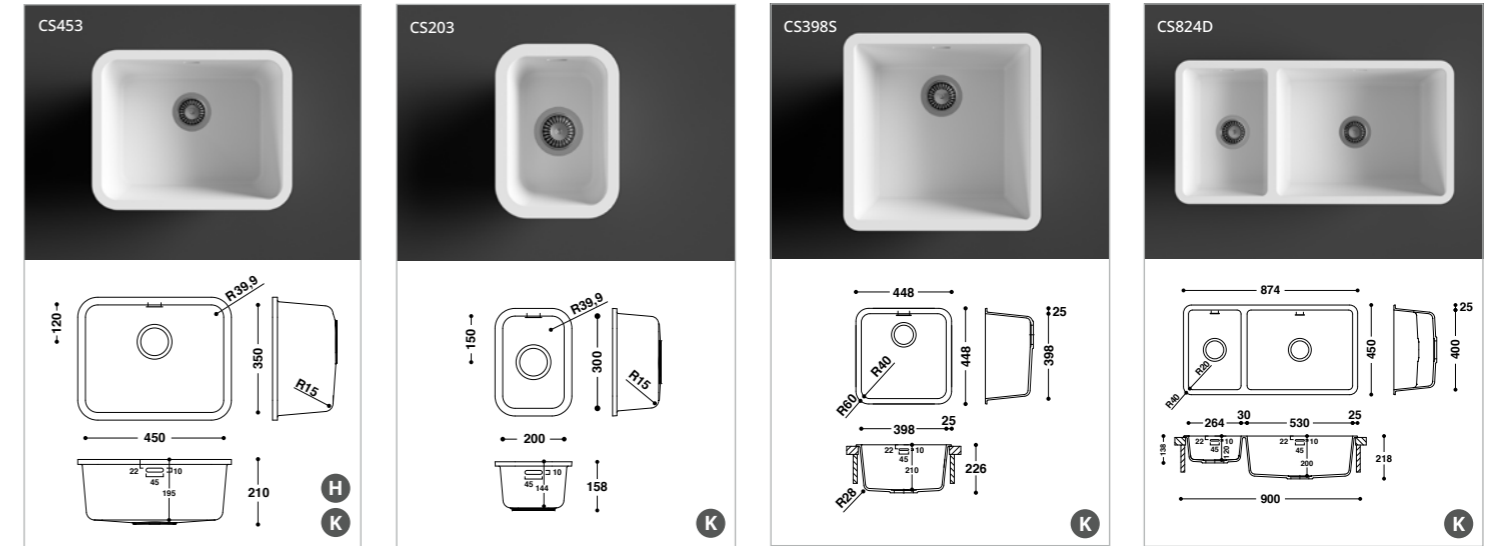
Sinks. Spacious and elegant.



HIMACS Sinks for kitchen and healthcare applications

Spaciousness, durability and hygiene are all key quality features when choosing a sink for the kitchen or healthcare facility. The top quality models in the HIMACS range offer it all. These coordinated sinks are installed as undermounted creating extremely hygienic sink areas. Special custom-made creations are also an option.

Click here and discover our complete product range on himacs.eu



- The HIMACS sinks CS824D, CS800D, CS490D are only available with overflow.
- All other HIMACS sinks are available with and without overflow.

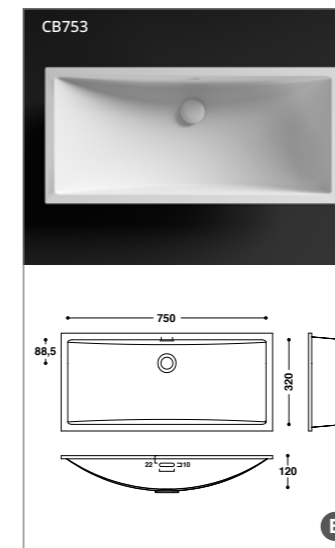
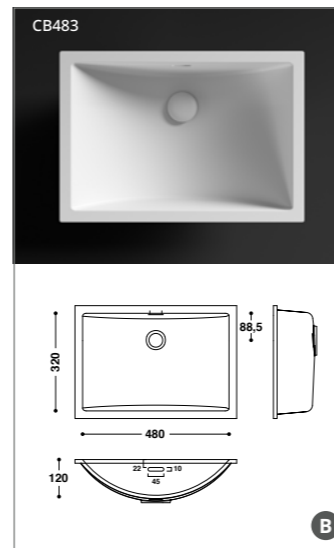
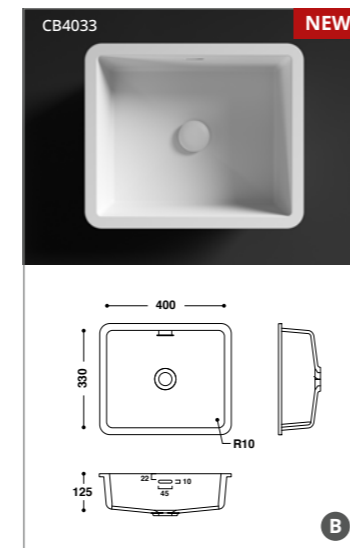
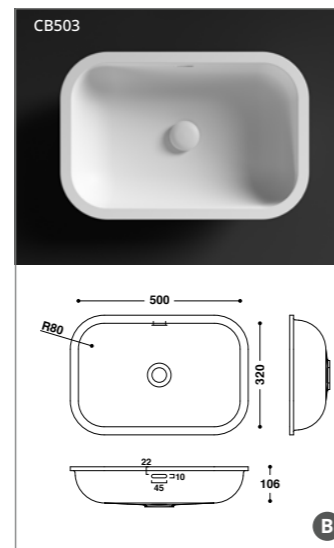
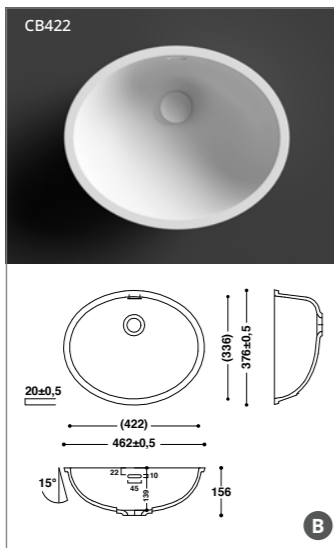
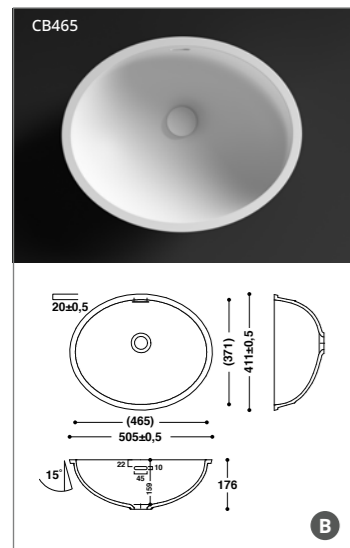
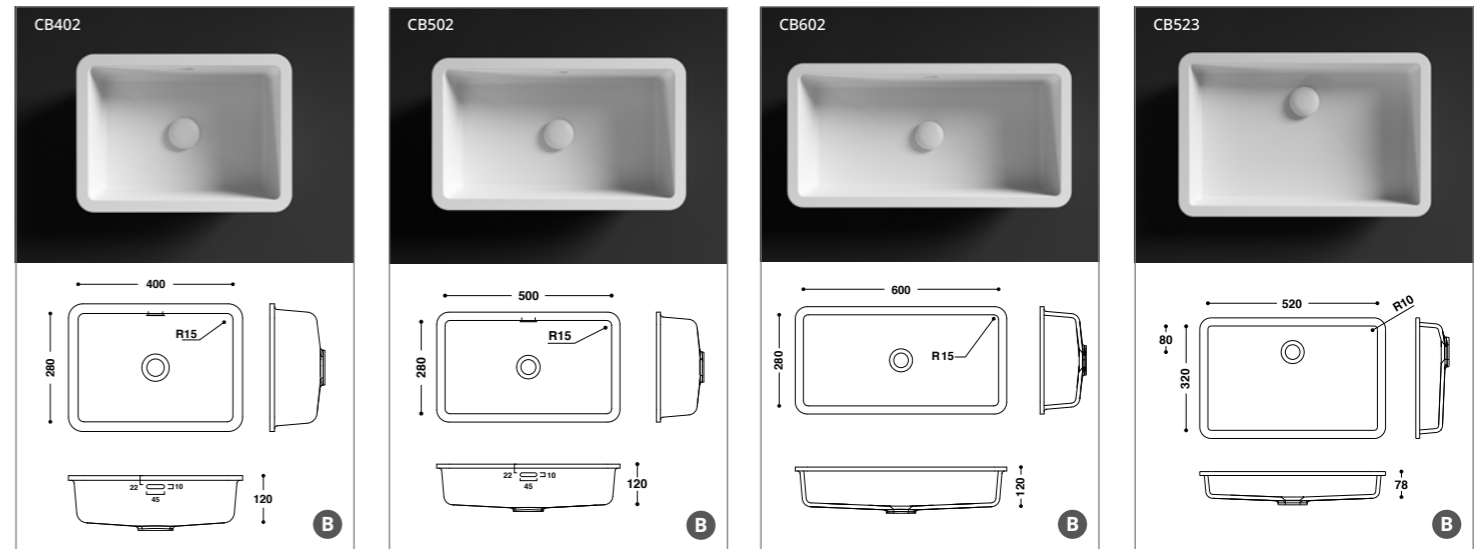
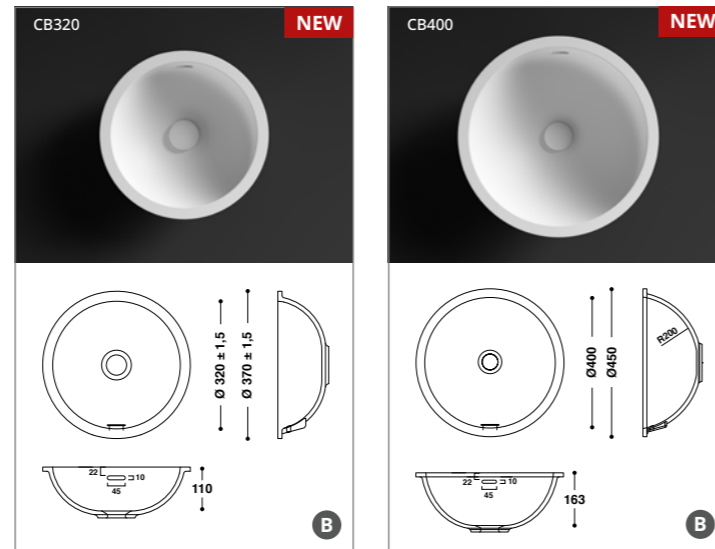
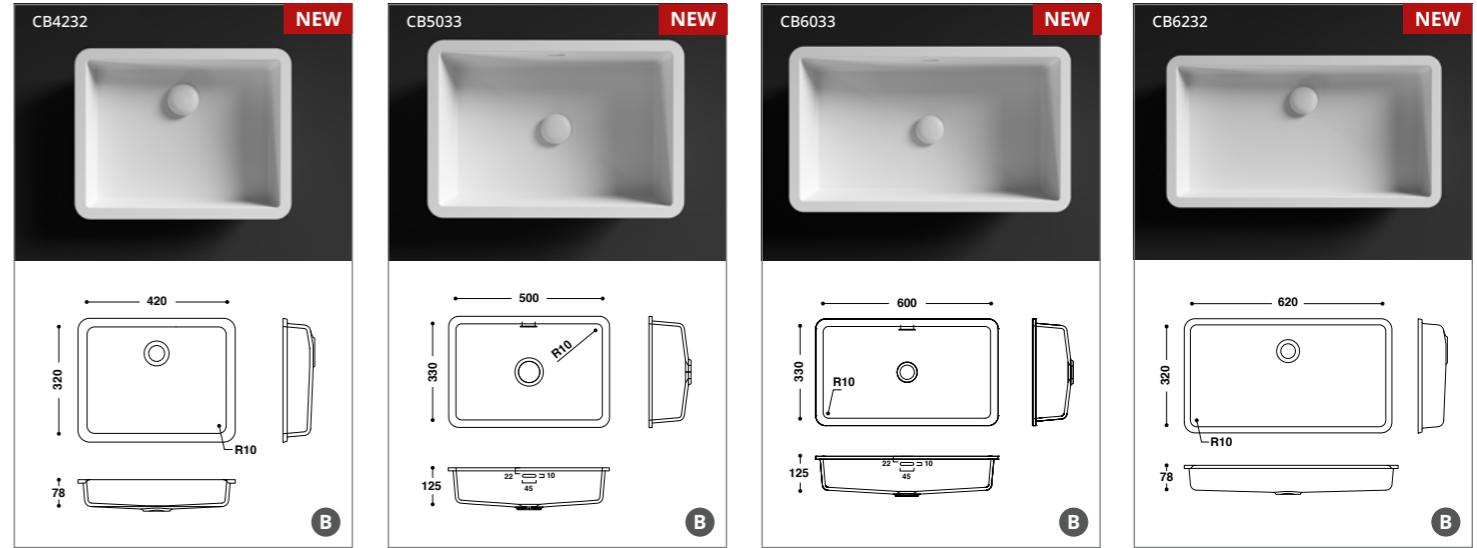
H suitable for healthcare
K suitable for kitchen

Basins. Best design for the bathroom.

HIMACS Basins for the bathroom

Rectangular or oval, deep or shallow basins, small bathrooms or comprehensive solutions. The HIMACS range offers creative architects and bathroom planner's numerous options.

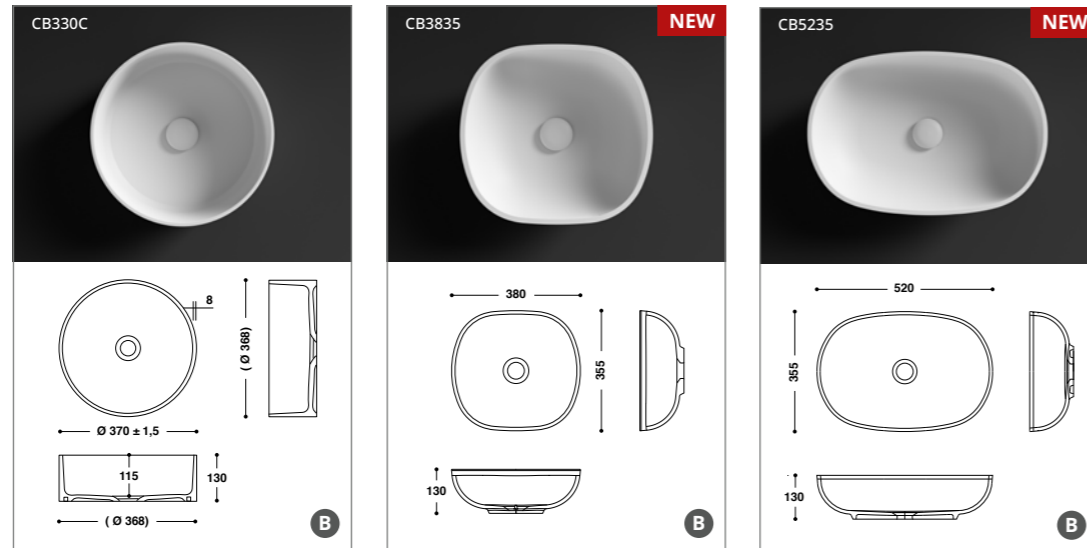
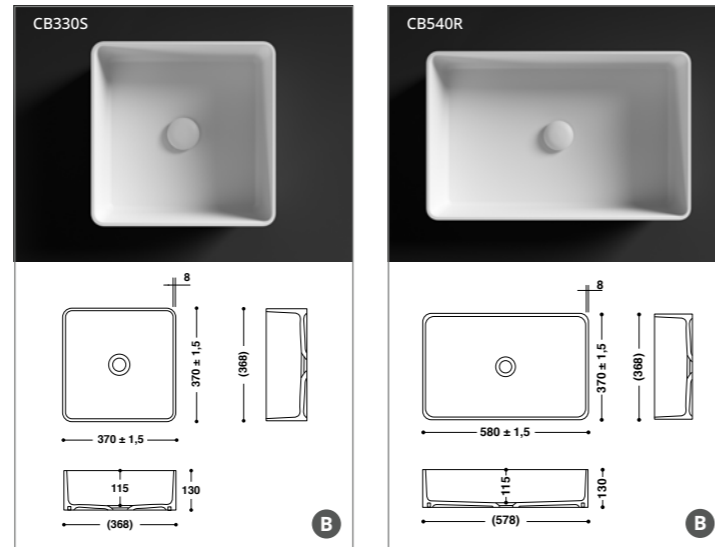
B suitable for bathroom



Drain hole valve with solid surface cover is also available and needs to be purchased separately.

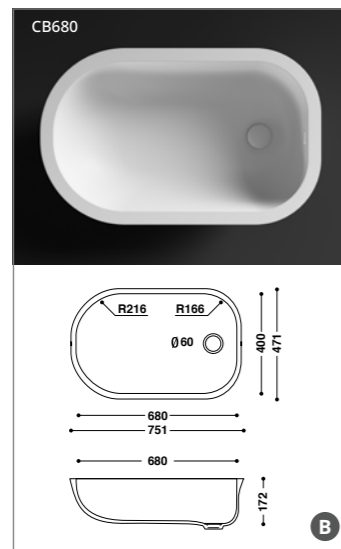
HIMACS Basins for the bathroom – Top mount installation

These basins are HIMACS answer to the trend for linear designs. All three basins were exclusively designed as top-mounted bowls. The narrow radius of the two rectangular models creates exceptionally spacious basins.



HIMACS Baby Bath

The neo-natal ward of a hospital is the one place where maximum hygiene, ergonomics and warmth are essential. The ergonomic shape of the bowl is specifically designed for babies.



- The HIMACS basins CB523, CB4232, CB6232, the HIMACS Top Mounted Basins Collection and the HIMACS Baby Bath are only available without overflow.
- All other HIMACS basins are available with and without overflow.



Alpine White S028

HIMACS sinks, washbasins, Baby Bath, baths and shower trays are exclusively available in Alpine White S028.

Warranty: 15 years on all precast HIMACS basins, sinks, baby bath, baths and shower trays.

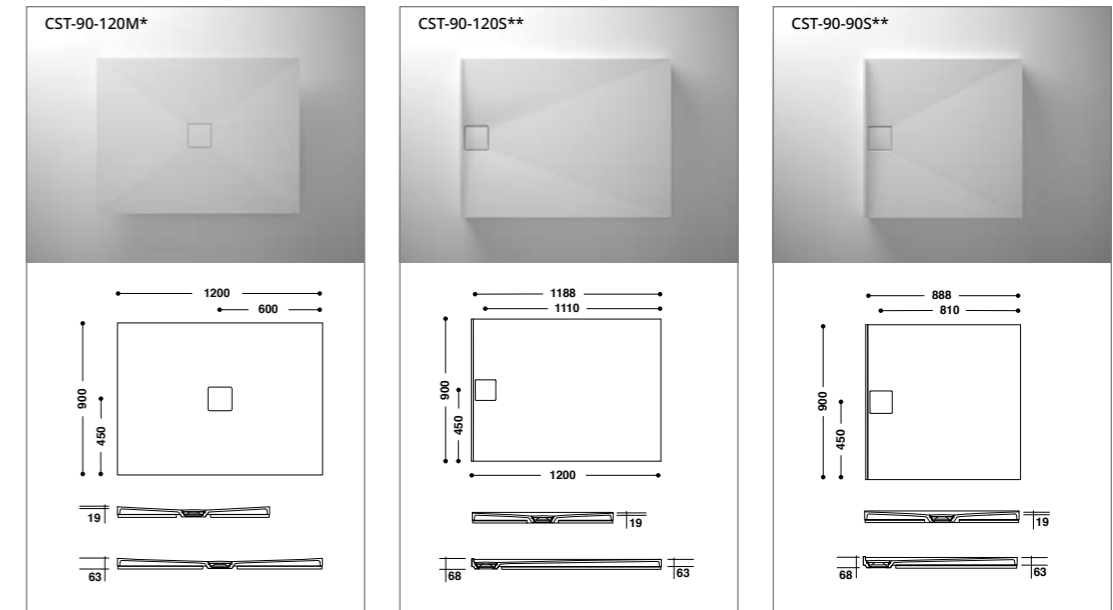
Bath and Shower Tray Collection. Even more choices from HIMACS for a beautifully designed bathroom.



Click here and discover our complete product range on himacs.eu

HIMACS Shower Trays

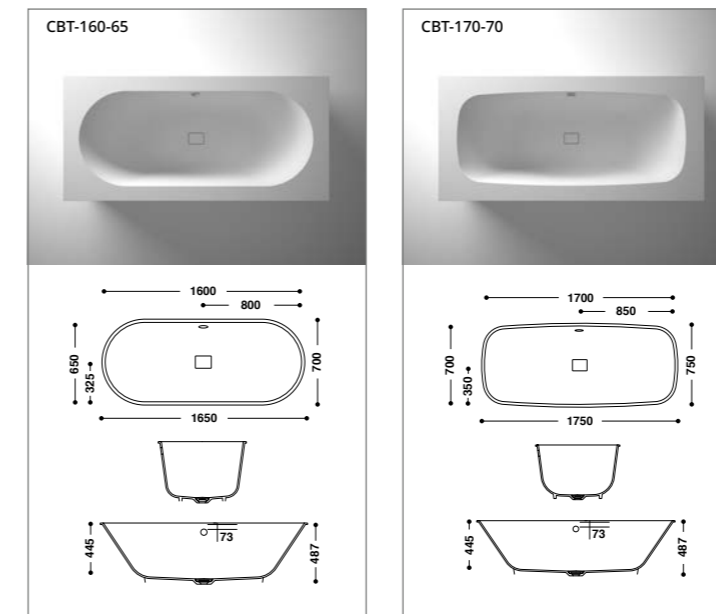
HIMACS is the perfect material for bathrooms, with its warm, silky smooth feel. And the properties that make it so, also create a product which is incredibly easy to clean, and totally hygienic. The shower trays from HIMACS offer all of these advantages and more: three simple models extend the opportunities to bring the design and functional features of the bathroom to the forefront to design perfect wellness areas in homes, hotels and public spaces.



* Middle Drainhole

** Side Drainhole

** Side Drainhole



HIMACS Baths

Alongside washbasins, the bath is the central element of a beautifully designed bathroom. And now both are available in the same material: sleek, but also functional, in a useful, aesthetic unit. All baths are designed for integrated installation. The bath is inserted flush-mounted within the panel, so that visually the product is seamless: no visible joints and therefore easy to maintain with hygienic surfaces. The baths from HIMACS are the perfect way to complete the range and make it more than just a bathroom – they transform it into an all-round feel-good experience.

Please note:

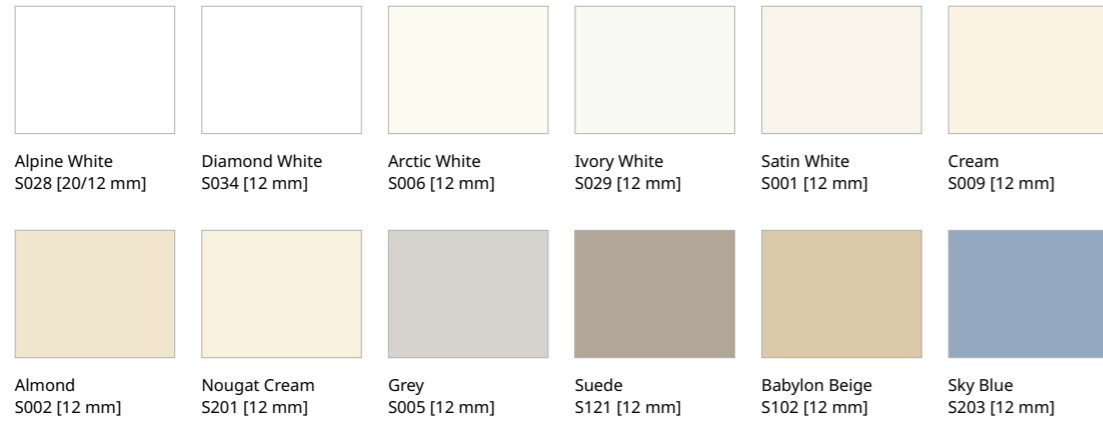
1. The delivery includes either the bath or shower tray (as shown in the sketch) and the matching installation material consisting of height-adjustable feet, a sound-insulating mat and a wooden stabilisation board.
2. Sheet material is also needed to create the installation seen in the photos.

The colours for kitchen and bathroom.

Colours are key in design: elegant Cream, hot Allspice Quartz or delicious Mocha Granite ...
We have whatever you want – it's your choice.

Solids

From elegant to extravagant, classic to ultra-contemporary.

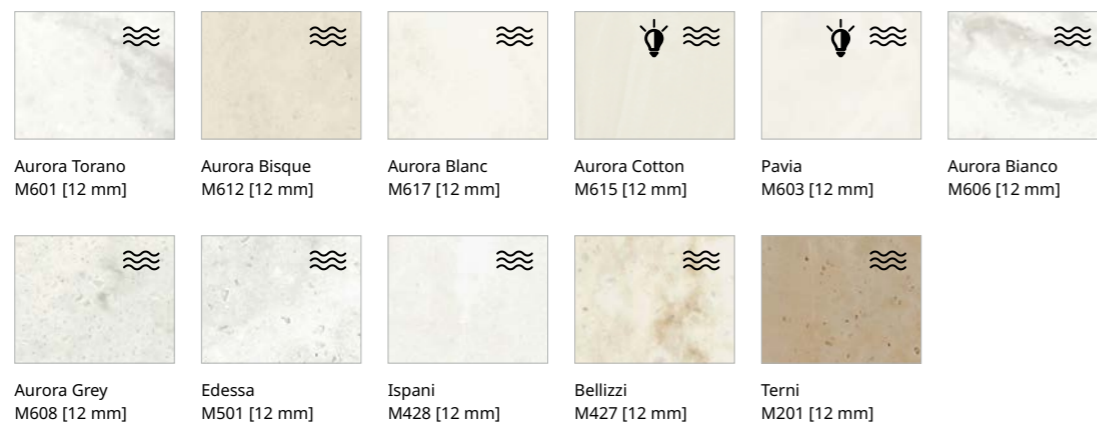


Marmo

Captivating random veined texture, reminiscent of marble.

Aurora Colours

NEW AURORA COLOURS



20 mm: Colours indicated are available on stock. Other colours are available on special request except for Chic Concrete and Marmo Collection. Minimum quantities order apply.
Notice: The basic HIMACS material is identical for every colour, although darker hues have a higher percentage of natural pigments. There may be some slight variation in colour between the illustrated and actual colours due to printing techniques. The recommended finish for kitchen worktops is semi-matt.

≡ Marmo is a randomly veined product, specific fabrication guidelines need to be followed. Ask your sales partner for more information, and see more details at himacs.eu.
 ♻️ Colours with this mark have a semi-translucent effect, evident when combined with light sources.
 ♻️ Certified to contain pre-consumer recycled content.
 🎨 Design Collection by Marcel Wanders.

Granite, Quartz, Sand & Pearl

A huge selection of textures and colours. Natural, elegant and perfect in combination.



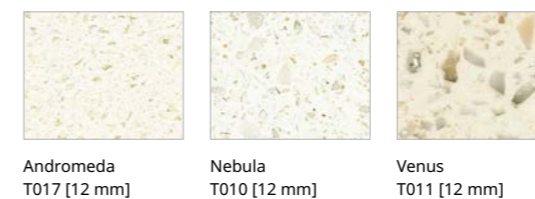
Concrete Collection

Warm-tones concrete-like finishes are now available in the solid surface material, providing completely new opportunities for architects and designers.



Aster

With transparent grains and mother of pearl shimmer.



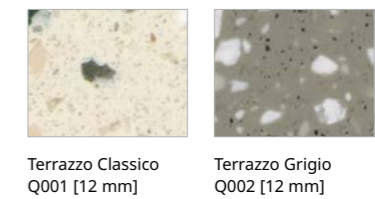
Volcanics

Looks like a precious natural stone but with all of the advantages of "the Solid Surface Material".



Terrazzo

The coarse-grained, 'splattered' look of these two colours radiates a perfect blend of longevity and elegance.



Strato

The Strato Collection enhances the HIMACS colour range with brand new design possibilities: the distinctive lines create geometry through its natural appearance and subtle look.



Lucia

Natural colour trends characterised by linear-edged, midsize particles: two of those designed by Dutch Star Designer, Marcel Wanders.



Click here and discover our complete colour range on himacs.eu

Resistant for your benefit.

CLASS	STAINING AGENT	APPLICATION TIME	EVALUATION OF G002 CHANGES	EVALUATION OF S028 CHANGES
GROUP 1	Water	16 h - 24 h	5 to 4	5 to 4
	Toothpaste			
	Hand cream			
	Natural fruit and vegetable juice			
	Lemonade and fruit drinks			
	Meats and sausages			
	Animal and vegetable fats and oils			
	Salt (NaCl) solutions			
	Mustard			
	Lyes, soap solutions			
	Cleaning solution			
	Alcoholic beverages			
	Phenol and chloramine-T disinfectants			
Citric acid (10% solution)				
GROUP 2	Coffee (120gr coffee per ltr. water)	16 h	5	5 to 4
	Black tea (9gr tea per ltr. water)			
	Milk (all types)			
	Cola beverages			
	Wine vinegar			
	Alkaline-based cleaning agents (10% in water)			
	Lipstick			
	Water colours			
	Laundry marking inks			
Ball point inks				
GROUP 3	Acetone	10 min.	5 to 4	5 to 4
	Concentrated vinegar (30% acetic acid)			
	Nail varnish			
GROUP 4	Nail varnish remover	20 min.	5	4
	Acetic acid (5% solution)			

· HIMACS is extremely hard-wearing and durable and transforms your kitchen or bathroom into a universally functional room.

· Tests carried out in accordance to EN ISO 19712 for Solid Surface material, please see table (left) for results.

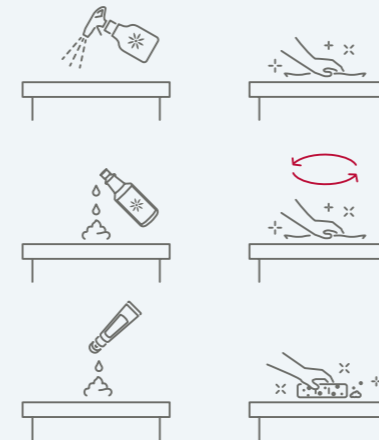
a = Acids and alkalis, in concentrations stronger than those shown in group 3, which can be contained in commercial cleaning agents, can cause surface damage or marking, even with very short contact times. Any spillage of such materials should be washed off immediately.

Evaluation

RATING LEVEL	DESCRIPTION
Rating 5	No visible change
Rating 4	Slight change in gloss and/or colour, only visible at certain viewing angles
Rating 3	Moderate change in gloss and/or colour
Rating 2	Marked change in gloss and/or colour
Rating 1	Surface distortion and/or blistering

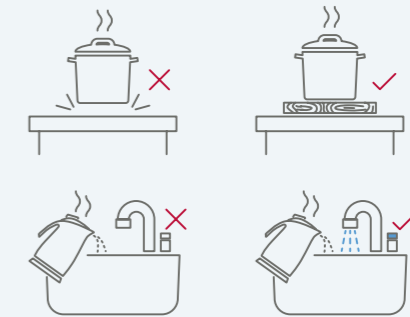
Care and Maintenance

HIMACS the Solid Surface Material by LX Hausys is hard-wearing, durable and extremely resistant to stains and is therefore very easy to look after. Below are a few simple tips and hints for caring for HIMACS to help maintain its exceptional quality for many years to come.



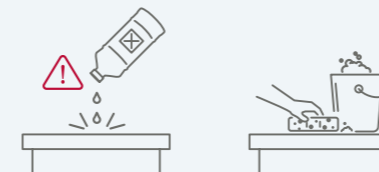
Tougher stains

Tougher stains, caused by food colouring, tea or fruit juice can easily be removed using a bleaching agent (do not leave in contact with the work surface for more than five minutes). Clean the surface with a domestic all-purpose cleaner and rinse with clean water. You can also use a scouring agent on matt finishes. Nail varnish can easily be removed with nail varnish remover (acetone-free) or a scouring agent.



General day-to-day stains

HIMACS is a completely homogenous material. As it does not have any pores, you can simply and easily clean it with a damp cloth or sponge and a mild detergent. You can also use a domestic scouring agent on all matt finishes. It is useful to wipe your surface occasionally with a scouring agent or wet sponge to retain the even finish of your product.



Acidic cleaning agents

A number of cleaning agents contain acids, such as methyl chloride or acetone. You should avoid using these on a HIMACS surface. Should one of these products accidentally come into contact with the material, as a precautionary measure you should rinse the surface with soapy water to prevent any discolouring taking place.



Burn marks

Small burn marks or marks caused by nicotine can simply be removed using a scouring agent or an abrasive sponge. Should this give the high-gloss finish a matt appearance, rubbing the surface with a scouring pad will quickly return it to its high-gloss state.

Hot objects and boiling water

Hot saucepans or pots straight out of the oven or from the hob should not be laid directly on the HIMACS surface. Place a mat or board underneath to prevent any damage to your product. If you pour boiling liquids into HIMACS sinks or basins, you should also pour in cold water at the same time. This also applies to the use of boiling water taps.



Sharp objects

HIMACS copes effortlessly with the wear and tear of everyday life, however pointed or sharp-edged objects can leave cuts or scratches on the HIMACS surface. You can repair smaller cuts and scratches without too much trouble but we recommend the services of a professional for especially deep cuts.



Inspiring trends and ideas for your new bathroom: In cooperation with the renowned Dutch interior designer Marike Andeweg, a brochure has been created that uses many examples to show how perfectly HIMACS can be used in modern bathroom design.

[Click here to discover our new Bathroom Inspiration brochure](#)

Please feel free to contact us for further information.

HIMACS. Because Quality Wins.

European Headquarters:
LX Hausys Europe GmbH
Lyoner Str. 15
60528 Frankfurt
Germany
info@himacs.eu

To see more kitchen and bathroom styles or to find the contact
for your region, please visit our website.

himacs.eu



HIMACS is a registered trademark of LX Hausys. All other trademarks and product names are trademarks or registered trademarks of their respective rights owners. The information contained in this brochure is intended to be for information only and can be amended at any time without prior notification. ©2022. LX Hausys Europe GmbH. All rights reserved.

Publisher's Details:

Heinrich Hermes, heinrich-hermes.de | Pfeiffer GmbH & Co. KG, pfeiffer-germany.de |
Roth kreativ GmbH, rother-punkt.de | Studio Hetzer, studio-hetzer.de | Studio Podrini, studiopodrini.com